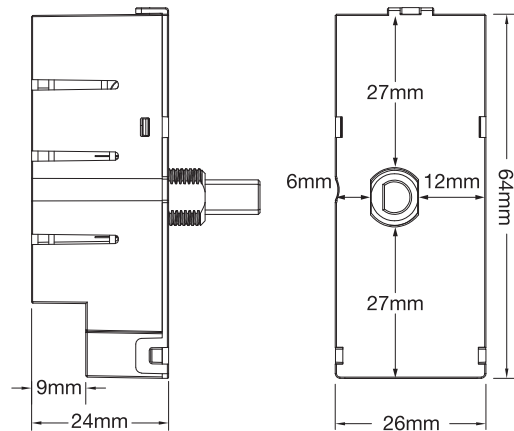


Returns & Faulty Items

- If any problem is encountered during or after installation, please call the All LED technical department to get the problem resolved as soon as possible.
- Please do not just return the item to the outlet you purchased it from, as you are only entitled to a replacement or refund after the unit has undergone testing and the unit has been confirmed as having a manufacturing defect/fault. Your statutory rights are not affected.
- The manufacturer will not be deemed liable or held responsible for any damages caused by faults or manufacturing defects that may be present in any of its products or the misuse or incorrect installation of this device.
- All goods are supplied under the terms and conditions of All LED LTD, a copy of which may be obtained upon written request.

Dimensions



General Information

- Interference may occur with other products on the same frequency of 2.4Ghz
- Product may differ in colour from image on box
- Range signal can be reduced when using within materials such as concrete & metal

Environmental Protection
Waste electrical products should not be disposed of with household waste. Please recycle where facilities exist. Check with your Local Authority or retailer for recycling advice



ALL LED LTD
42 Sedgwick Road,
Luton, LU4 9DT

www.allledgroup.com
sales@allledgroup.com
Tel: +44 (0)208 841 9000

The manufacturer will not be deemed liable or held responsible for any damages caused by faults or manufacturing defects that may be present in any of its products or the misuse or incorrect installation of this device
Your statutory rights are not affected.



INSTALLATION GUIDE



AiQ/DIM250/LL

SMART-T Smart LIVE/LIVE Rotary Zigbee Dimmer Module

Technical Specifications

Product Code	AiQ/DIM250/LL
Operating Voltage (V)	220-240VAC
Max Operating Current (A)	1.14A
Capacity	5-250W (LED)
Minimum Load	5W
Output Current (max)	1.36A
PF	0.8
Efficiency %	80
Network Standby Power (W)	<0.5W
Class	II
Body Material	Polycarbonate
Frame Colour	White
Switching Cycles	>20,000 times
Ingress Protection	IP20
Ambient Operating Temperature (°C)	-10°C ~ 40°C
Input Frequency (Hz)	50Hz
Guarantee	2 Years
Dimming Mode (Trailing or Leading)	Trailing



Pairing Instructions:

Network Mode: 15 Minutes

Find and Bind (for remotes): 3 Minutes

To add the device to your network, power up for first time and add the device through the hub. When installing for the first time, the device automatically enters pairing mode for 15 minutes, if this duration is exceeded please follow instructions below.

Network Pairing Instructions (if 15 minutes has elapsed):

1. From your smart home hub interface, choose to add a device or accessory and enter pairing mode as instructed
2. Turn the light on, **SHORT PRESS the knob ONCE and LONG PRESS the SECOND TIME** until the connected load starts to **step up and down in brightness TWICE to show** that the dimmer is in **PAIRING MODE**. (Pairing mode lasts 15 mins)
3. If successful, the light will flash once and return to full brightness.

(Please factory reset and start from step 1 again if unsuccessful)

Pairing Remote to Rotary Dimmer:

Note: When both devices (dimmer and remote) are not added to the smart home hub, each smart dimmer can connect with one remote maximum.

When both devices (dimmer and remote) are added to the smart home hub in the same Zigbee network, each dimmer can Connect with a maximum of 30 remotes.

If using the items on a smart hub, you **MUST** pair the dimmer and remote to the hub **PRIOR** to pairing with any remote control.

If using the module directly with a remote, you may proceed as below.

1. Turn on the lights, **press the knob TWICE and LONG PRESS on the THIRD PRESS** until the lights start to **step up and down in brightness THREE TIMES** to start the find and bind mode (timeout 3 mins).
2. Bring the remote within 10 cm of the smart dimmer (please refer to the remote manual for pairing instructions).
3. If remote has successfully connected the lights will flash 3 times.

Unpairing Remote from Rotary Dimmer:

To Remove a Remote Control from your Smart Dimmer please follow instructions below

1. Turn on the lights, **press the knob TWICE and LONG PRESS on the THIRD PRESS** until the lights start to **step up and down in brightness THREE TIMES** to start the find and unbind mode (timeout 3 mins).
2. Bring the remote within 10 cm of the smart dimmer (please refer to the remote manual for pairing instructions).
3. If remote has successfully disconnected the lights will flash 3 times.

Factory Reset:

1. Turn on the light, **SHORT PRESS the knob FOUR TIMES and LONG PRESS the FIFTH TIME** until the light starts to step up and down in brightness **FIVE TIMES** to show that the reset is successful.

Setting Minimum Brightness:

1. Turn on the lights, **press the knob THREE TIMES**. The lights will flicker **TWICE** to show it is in the configuration mode.
2. Adjust the minimum brightness to your desired level. Once set **press the knob ONCE** to save your setting

Wiring Diagram

